



## Adapters, Couplings & Accessories

### Pressures to 152,000 psi

**MAXIMATOR** designs and manufactures a wide variety of adapters and couplings in an array of styles and sizes. The adapters in this section are considered standard and readily available. Other materials and configurations are available upon request.

#### Adapters, Couplings & Accessories feature:

- ▶ Adapters & Couplings are 316 cold worked stainless steel material.
- ▶ Traceability is ensured by component laser etching, and through extensive documentation which includes: part number, pressure, material batch numbers, and connection type.
- ▶ Adapters are available in one or two-piece designs.
- ▶ Safety weep holes come standard on all pressure connections.
- ▶ All medium, high and ultra high pressure Adapters and Couplings come complete with glands and collars.
- ▶ Precision stainless steel pressure gauges good for 35,000 psi. Gauges are glycerin filled with laminated safety glass lenses.

**MAXPRO** offers a complete line of standard high pressure adapters and couplings to compliment our valve line. Special design adapters and materials are available upon request.

**Note:** When selecting multiple items, the pressure rating would be that of the lowest rated component.

#### Adapters, Couplings & Accessories Index

Adapters (male to female) . . . . .	2-3
Couplings (female to female) & Adapters (male to male) . . . . .	4-5
Gauges rated to 35,000 psi . . . . .	6

**Maxpro Technologies, Inc.**  
 7728 Klier Drive South · Fairview Pennsylvania 16415  
 Phone: 814-474-9191 · Fax: 814-474-9391  
 website: www.maxprotech.com

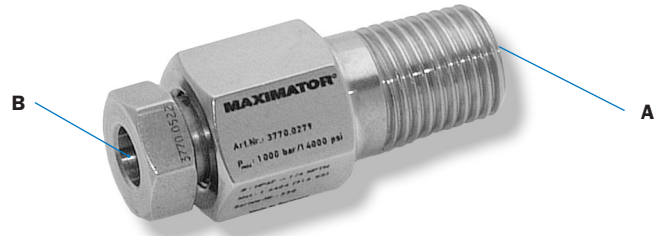
All general terms and conditions of sale, including limitations of our liability, apply to all products and services sold.  
 MT R6 0317



Printed in the USA

### Adapters (male to female)

**MAXIMATOR** male to female adapters allow the joining of male to female connections. The two connections can be a variety of tube or pipe connection types, with different size combinations possible. All adapters are made of 316 cold worked stainless steel material; other materials are available upon request. Glands and collars are included with each female tube connection.



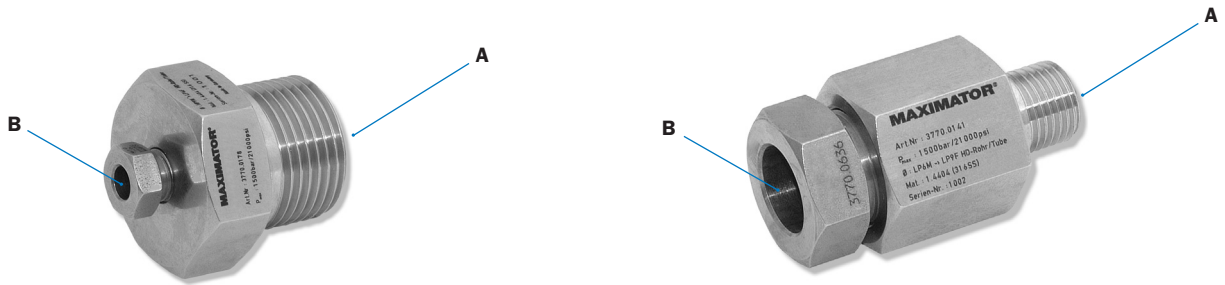
### Instructions

Find the male connection you want on the adapter in the "A" column and the female connection of the adapter in the "B" column. At the intersection of the two columns is the appropriate catalog number.

Pressure Series	Male Connection "A"			Female Connection "B"				
	Tube Size (in.)	Connection Type	Maximum Pressure (psi)*	Female Medium Pressure 22,500 psi				
				1/4" 4MF	3/8" 6MF	9/16" 9MF	3/4" 12MF	1" 16MF
Male Medium	1/4	4MM	22,500		21A4M6M	21A4M9M	21A4M12M	21A4M16M
	3/8	6MM	22,500	21A6M4M		21A6M9M	21A6M12M	21A6M16M
	9/16	9MM	22,500	21A9M4M	21A9M6M		21A9M12M	21A9M16M
	3/4	12MM	22,500	21A12M4M	21A12M6M	21A12M9M		21A12M16M
	1	16MM	22,500	21A16M4M	21A16M6M	21A16M9M	21A16M12M	
Male High	1/4	4HM	65,000	21A4H4M	21A4H6M	21A4H9M	21A4H12M	21A4H16M
	3/8	6HM	65,000	21A6H4M	21A6H6M	21A6H9M	21A6H12M	21A6H16M
	9/16	9HM	65,000	21A9H4M	21A9H6M	21A9H9M	21A9H12M	21A9H16M
Male Ultra High	5/16	5UM	152,000	21A5U4M	21A5U6M	21A5U9M	21A5U12M	21A5U16M
Male Pipe	1/8	MNPT	15,200	15A2P4M	15A2P6M	15A2P9M	15A2P12M	15A2P16M
	1/4	MNPT	15,200	15A4P4M	15A4P6M	15A4P9M	15A4P12M	15A4P16M
	3/8	MNPT	15,200	15A6P4M	15A6P6M	15A6P9M	15A6P12M	15A6P16M
	1/2	MNPT	15,200	15A8P4M	15A8P6M	15A8P9M	15A8P12M	15A8P16M
	3/4	MNPT	15,200	15A12P4M	15A12P6M	15A12P9M	15A12P12M	15A12P16M
	1	MNPT	15,200	15A16P4M	15A16P6M	15A16P9M	15A16P12M	15A16P16M

\* The pressure rating of any adapter is the value of the lowest rated connection in the fitting.  
 Note: All Maximator adapters come standard in the "one-piece" design style.

See page 2 in the Technical Section for determining operating pressures above room temperature.



Female Connection "B"										
Female High Pressure 65,000 psi			Female Ultra-High Pressure 152,000 psi	Female Pipe 15,200 psi						
1/4" 4HF	3/8" 6HF	9/16" 9HF	5/16" 5UF	1/8" FNPT	1/4" FNPT	3/8" FNPT	1/2" FNPT	3/4" FNPT	1" FNPT	
21A4M4H	21A4M6H	21A4M9H	21A4M5U	15A4M2P	15A4M4P	15A4M6P	15A4M8P	15A4M12P	15A4M16P	
21A6M4H	21A6M6H	21A6M9H	21A6M5U	15A6M2P	15A6M4P	15A6M6P	15A6M8P	15A6M12P	15A6M16P	
21A9M4H	21A9M6H	21A9M9H	21A9M5U	15A9M2P	15A9M4P	15A9M6P	15A9M8P	15A9M12P	15A9M16P	
21A12M4H	21A12M6H	21A12M9H	21A12M5U	15A12M2P	15A12M4P	15A12M6P	15A12M8P	15A12M12P	15A12M16P	
21A16M4H	21A16M6H	21A16M9H	21A16M5U	15A16M2P	15A16M4P	15A16M6P	15A16M8P	15A16M12P	15A16M16P	
	65A4H6H	65A4H9H	65A4H5U	15A4H2P	15A4H4P	15A4H6P	15A4H8P	15A4H12P	15A4H16P	
65A6H4H		65A6H9H	65A6H5U	15A6H2P	15A6H4P	15A6H6P	15A6H8P	15A6H12P	15A6H16P	
65A9H4H	65A9H6H		65A9H5U	15A9H2P	15A9H4P	15A9H6P	15A9H8P	15A9H12P	15A9H16P	
65A5U4H	65A5U6H	65A5U9H		15A5U2P	15A5U4P	15A5U6P	15A5U8P	15A5U12P	15A5U16P	
15A2P4H	15A2P6H	15A2P9H	15A2P5U							
15A4P4H	15A4P6H	15A4P9H	15A4P5U							
15A6P4H	15A6P6H	15A6P9H	15A6P5U							
15A8P4H	15A8P6H	15A8P9H	15A8P5U							
15A12P4H	15A12P6H	15A12P9H	15A12P5U							
15A16P4H	15A16P6H	15A16P9H	15A16P5U							

\* The pressure rating of any adapter is the value of the lowest rated connection in the fitting.

### Couplings (female to female)

**MAXIMATOR** couplings are female to female fittings that allow the joining of two different sizes and/or types of connections for a variety of size combinations. All couplings and adapters are made of 316 cold worked stainless steel material; other materials are available upon request. Glands and collars are included with each female tube connection.



### Instructions

Find the first connection you want in the “A” column and the other connection in the “B” column. At the intersection of the two columns is the appropriate catalog number.

Pressure Series	Female Connection “A”			Female Connection “B”				
	Tube Size (in.)	Connection Type	Maximum Pressure (psi)*	Female Medium Pressure 22,500 psi				
				1/4" 4MF	3/8" 6MF	9/16" 9MF	3/4" 12MF	1" 16MF
Female Medium	1/4	4MF	22,500	21F4M	21F4M6M	21F4M9M	21F4M12M	21F4M16M
	3/8	6MF	22,500		21F6M	21F6M9M	21F6M12M	21F6M16M
	9/16	9MF	22,500			21F9M	21F9M12M	21F9M16M
	3/4	12MF	22,500				21F12M	21F12M16M
	1	16MF	22,500					21F16M
Female High	1/4	4HF	65,000					
	3/8	6HF	65,000					
	9/16	9HF	65,000					
Female Ultra High	5/16	5UF	152,000					

\* The pressure rating of any adapter is the value of the lowest rated connection in the fitting.

See page 2 in the Technical Section for determining operating pressures above room temperature.

### Adapters (male to male)

**MAXIMATOR** male to male adapters allow the joining of two different sizes and/or types of tube or pipe female connections.



Pressure Series	Male Connection “A”			Male Connection “B”				
	Tube Size (in.)	Connection Type	Maximum Pressure (psi)*	Male Medium Pressure 22,500 psi				
				1/4" 4MM	3/8" 6MM	9/16" 9MM	3/4" 12MM	1" 16MM
Male Medium	1/4	4MM	22,500	21M4M	21M4M6M	21M4M9M	21M4M12M	21M4M16M
	3/8	6MM	22,500		21M6M	21M6M9M	21M6M12M	21M6M16M
	9/16	9MM	22,500			21M9M	21M9M12M	21M9M16M
	3/4	12MM	22,500				21M12M	21M12M16M
	1	16MM	22,500					21M16M
Male High	1/4	4HM	65,000					
	3/8	6HM	65,000					
	9/16	9HM	65,000					
Male Ultra High	5/16	5UM	152,000					

\* The pressure rating of any adapter is the value of the lowest rated connection in the fitting.

See page 2 in the Technical Section for determining operating pressures above room temperature.

All general terms and conditions of sale, including limitations of our liability, apply to all products and services sold.  
MT R6 0317



Female Connection "B"										
Female High Pressure 65,000 psi			Female Ultra High Pressure 152,000 psi	Female Pipe 15,200 psi						
1/4" 4HF	3/8" 6HF	9/16" 9HF	5/16" 5UF	1/8" FNPT	1/4" FNPT	3/8" FNPT	1/2" FNPT	3/4" FNPT	1" FNPT	
21F4M4H	21F4M6H	21F4M9H	21F4M5U	15F4M2P	15F4M4P	15F4M6P	15F4M8P	15F4M12P	15F4M16P	
21F6M4H	21F6M6H	21F6M9H	21F6M5U	15F6M2P	15F6M4P	15F6M6P	15F6M8P	15F6M12P	15F6M16P	
21F9M4H	21F9M6H	21F9M9H	21F9M5U	15F9M2P	15F9M4P	15F9M6P	15F9M8P	15F9M12P	15F9M16P	
21F12M4H	21F12M6H	21F12M9H	21F12M5U	15F12M2P	15F12M4P	15F12M6P	15F12M8P	15F12M12P	15F12M16P	
21F16M4H	21F16M6H	21F16M9H	21F16M5U	15F16M2P	15F16M4P	15F16M6P	15F16M8P	15F16M12P	15F16M16P	
	65F4H	65F4H6H	65F4H9H	65F4H5U	15F4H2P	15F4H4P	15F4H6P	15F4H8P	15F4H12P	15F4H16P
		65F6H	65F6H9H	65F6H5U	15F6H2P	15F6H4P	15F6H6P	15F6H8P	15F6H12P	15F6H16P
			65F9H	65F9H5U	15F9H2P	15F9H4P	15F9H6P	15F9H8P	15F9H12P	15F9H16P
				152F5U	15F5U2P	15F5U4P	15F5U6P	15F5U8P	15F5U12P	15F5U16P

\* The pressure rating of any adapter is the value of the lowest rated connection in the fitting.



Male Connection "B"										
Male High Pressure 65,000 psi			Male Ultra High Pressure 152,000 psi	Male Pipe 15,200 psi						
1/4" 4HM	3/8" 6HM	9/16" 9HM	5/16" 5UM	1/8" MNPT	1/4" MNPT	3/8" MNPT	1/2" MNPT	3/4" MNPT	1" MNPT	
21M4M4H	21M4M6H	21M4M9H	21M4M5U	15M4M2P	15M4M4P	15M4M6P	15M4M8P	15M4M12P	15M4M16P	
21M6M4H	21M6M6H	21M6M9H	21M6M5U	15M6M2P	15M6M4P	15M6M6P	15M6M8P	15M6M12P	15M6M16P	
21M9M4H	21M9M6H	21M9M9H	21M9M5U	15M9M2P	15M9M4P	15M9M6P	15M9M8P	15M9M12P	15M9M16P	
21M12M4H	21M12M6H	21M12M9H	21M12M5U	15M12M2P	15M12M4P	15M12M6P	15M12M8P	15M12M12P	15M12M16P	
21M16M4H	21M16M6H	21M16M9H	21M16M5U	15M16M2P	15M16M4P	15M16M6P	15M16M8P	15M16M12P	15M16M16P	
	65M4H	65M4H6H	65M4H9H	65M4H5U	15M4H2P	15M4H4P	15M4H6P	15M4H8P	15M4H12P	15M4H16P
		65M6H	65M6H9H	65M6H5U	15M6H2P	15M6H4P	15M6H6P	15M6H8P	15M6H12P	15M6H16P
			65M9H	65M9H5U	15M9H2P	15M9H4P	15M9H6P	15M9H8P	15M9H12P	15M9H16P
				152M5U	15M5U2P	15M5U4P	15M5U6P	15M5U8P	15M5U12P	15M5U16P

\* The pressure rating of any adapter is the value of the lowest rated connection in the fitting.

### Materials and Features

- ▶ Accuracy: 0 - 10,000 PSI  $\pm$  .5%  
15,000 & 20,000 PSI  $\pm$  .1%  
30,000 & 35,000 PSI  $\pm$  1.5%
- ▶ All gauges are panel mount style.
- ▶ AISI 316 Stainless Steel Case.
- ▶ 316 Stainless Steel wetted parts.
- ▶ Laminated safety glass lens.
- ▶ Gauges come standard with Blow-out relief grommet.
- ▶ Gauges are glycerin filled when shipped.

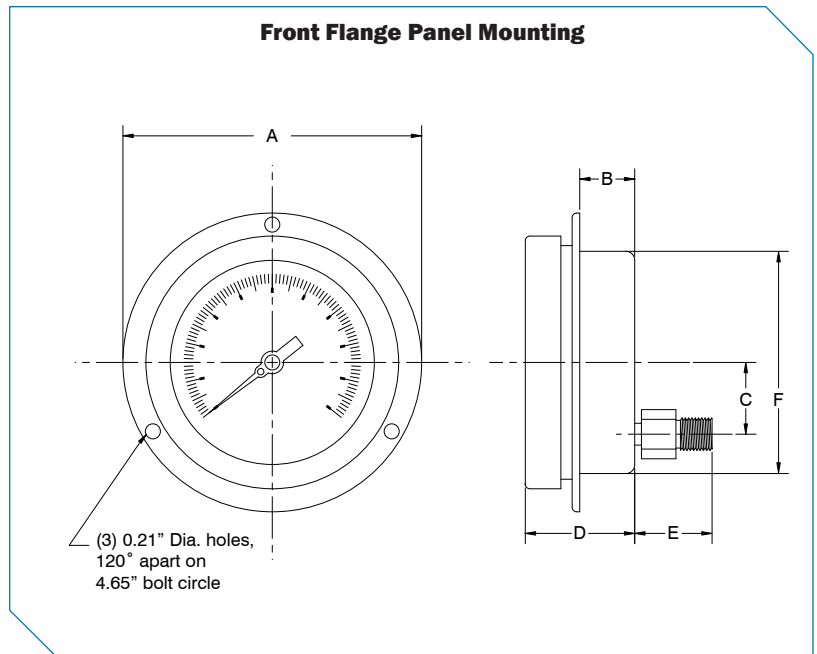


### Options

Other gauge faces are available for different pressure units. These gauges can also be cleaned for oxygen service. See chart below for catalog number suffixes.

Option	Suffix
PSI / BAR Gauge Face	-B
PSI / KPA Gauge Face	-K
Gauge Cleaned for Oxygen Service	-O

Gauge Dimensions (in.)						
A	B	C	D	E	F	Cut Out
5.20	0.96	1.26	1.91	1.34	3.90	4.17



Standard Gauges Calibrated in psi				
Catalog Number	Pressure Range (psi)	Minor Interval (psi)	Face Diameter (in.)	Connection*
1PG44P	0 - 1,000	10	4	1/4 MNPT
3PG44P	0 - 3,000	50	4	1/4 MNPT
5PG44P	0 - 5,000	50	4	1/4 MNPT
10PG44P	0 - 10,000	100	4	1/4 MNPT
15PG44P	0 - 15,000	150	4	1/4 MNPT
20PG44H	0 - 20,000	200	4	4HF
30PG44H	0 - 30,000	500	4	4HF
35PG44H	0 - 35,000	500	4	4HF

\* The 4HF is a female connection for the 1/4" O.D. - high pressure coned and threaded type fitting.